

TRAVELLER COMPANION

Assembly & Operating Instructions



START YOUR LIFE AFFAIR™ WITH MOBELLI

FOURWAYS MALL | ILLOVO SQUARE
PAARDEN EILAND | SEA POINT | UMHLANGA

@mobelliliving

mobelli.co.za

0861 66 23 55

BASE ASSEMBLY:

WHEN ASSEMBLING THE BASE, TAKE CARE, AS INDIVIDUAL STONES ARE HEAVY. WE RECOMMEND 2 ADULTS TO ASSEMBLE THE BASE SAFELY.

TO BEGIN:

You will need a M16 socket spanner or an offset spanner. Unlock the wheels before starting.

Protect the floor surface with the cardboard packaging and place the base stones on the ground as shown in [Figure 1](#).

Remove the nuts and steel washers from the studs in the base. Keep aside in a safe place.

Do not remove the plastic washers & check that the studs are securely tightened in place.

NEXT:

Safety tip: place 2cm high spacers (pieces of wood, spanners, screwdrivers or other suitable items) as shown in [Figure 2](#).

They must project out from the base stone so that they can be removed before bolting on the bottom base stone.

Carefully lower the bottom stone onto the top stone with the studs through the holes as shown in [Figure 3](#).

Remove the safety spacers.

Place the steel washers on the studs and turn-on the nuts. Bolt-on tightly using the M16 spanner.

NEXT:

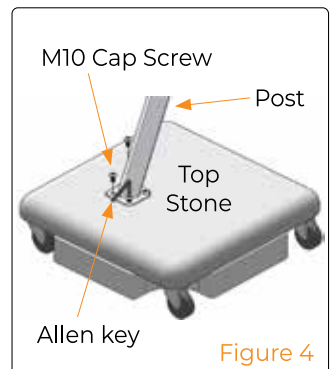
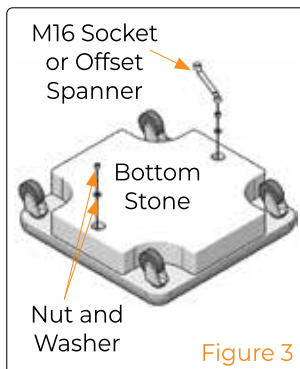
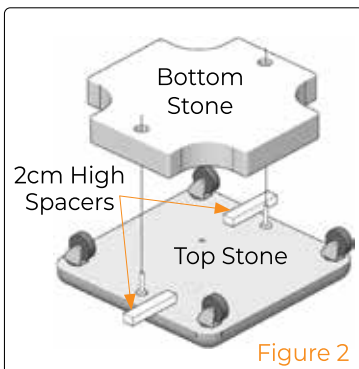
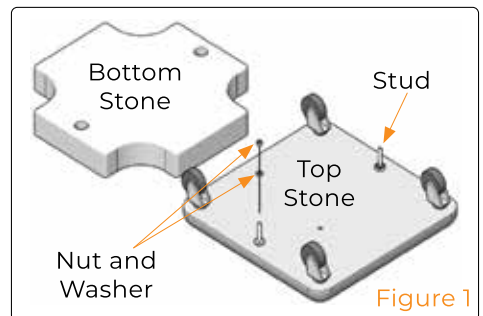
Carefully turn over the assembled base making sure that you do not damage the wheels or floor surface.

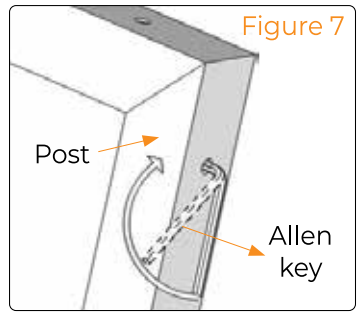
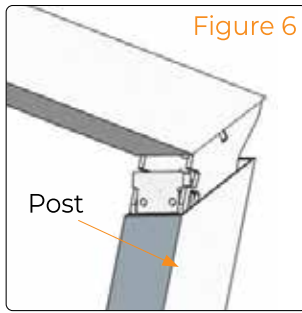
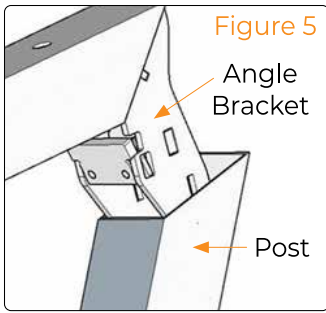
NEXT:

Place the post plate in position. This is marked out by the slight indentation in the concrete (the straight corners on the base plate & the indentation in the base stone must line up).

Securely bolt the post onto the base using the M10 cap screws and the Allen key (provided).

You are now ready to install the post.





POST ASSEMBLY:

WITH THE POST NOW INSTALLED ON THE BASE:

Position the angle bracket at the top of the post as shown in **Figure 5**.

Lift/tilt the free (opposite) end of the umbrella canopy upwards and the angle bracket will drop into the post. Once the angle bracket is all the way in, place the Allen key (provided) in the hole in the stainless steel post. It will self-locate in the tightening bolt.

Turn clockwise until the bolt is tight & the umbrella canopy is securely fixed into the post.

OPERATING INSTRUCTIONS:

OPENING YOUR TRAVELLER COMPANION:

- ▶ Remove the protective cover.
- ▶ Rotate either arm 180 degrees, the parallel motion will move the 2nd arm automatically.
- ▶ Latch together with the locking mechanism located at the end of the arms.

CLOSING YOUR TRAVELLER COMPANION:

- ▶ Release the latch at the end of the arms.
- ▶ Swing one arm back 180 degrees. The other arm will automatically close.
- ▶ Tie the canopy up using the tie straps provided.
- ▶ Put on the protective cover using the two stick handles provided.

Always keep your Traveller Companion in its protective cover when not in use.

MOVING YOUR TRAVELLER COMPANION:

- ▶ Release the locks on the wheels before moving your Traveller Companion.
- ▶ Wheel your Traveller Companion to your desired area.
- ▶ Lock at least two wheels to prevent the umbrella from moving around.

TILT MECHANISM OPTIONAL FEATURE:

If your Traveller Companion has the optional tilt feature, operate it as follows:

To tilt the canopy:

- ▶ Lift and slide the tilt handle towards the stainless steel post.
- ▶ Holding it in this position, pull down on the canopy fabric or an arm.
- ▶ Release the handle and the latch will self-locate.

To level the canopy:

- ▶ Lift and slide the tilt handle towards the stainless steel post.
- ▶ The umbrella will self-locate back to the horizontal position.
- ▶ Release the handle and the latch will self-locate.

WIND PROTECTOR OPTIONAL FEATURE:

- ▶ The wind protector optional feature acts to protect the umbrella against wind damage.
- ▶ When it is windy the ribs fold back to minimize any damage caused by the wind by reducing the amount of the canopy exposed to the wind.
- ▶ If they are activated you can simply move to slot them back into place.
- ▶ This does not mean that the umbrella is wind proof by any means. When it is windy, always keep your umbrella closed when not in use & move it close to the house, if possible.

MAINTAINING YOUR TRAVELLER COMPANION:

- ▶ Your Traveller Companion requires no mechanical maintenance.
- ▶ Wash any marks off the canopy with normal fabric cleaner. Do not use solvents. Test on a small area first.
- ▶ Clean your stainless steel post with stainless steel cleaner once a month to prevent tarnishing. Tarnishing can be removed with a scourer (in the same direction as the brush-finish).
- ▶ Your Traveller Companion must be kept in the protective cover when not in use.
- ▶ Ensure that the canopy is dry before putting on the protective cover.

IMPORTANT NOTES:

SAFETY NOTE: Do not leave your Traveller Companion open when unattended or in windy conditions. Never leave your Traveller Companion in the tilt positions when unattended as it is more susceptible to the wind damage when in a tilt position.

WIND PROTECTION FEATURE: This optional feature helps minimize potential wind damage; however, it does not eliminate the risk of wind damage. This wind protection feature will reduce the possibility of wind damage in most light-medium wind conditions but will not protect your umbrella in extreme wind conditions.

*Do not leave your umbrella open or in a tilt position when unattended.
It is most susceptible to damage in these positions.*

YOUR UMBRELLA IS NOT GUARANTEED AGAINST WIND DAMAGE EVEN WITH THE OPTIONAL ADDED WIND PROTECTION.

GUARANTEE:

PLEASE NOTE: THAT THIS GUARANTEE DOES NOT COVER WEAR AND TEAR, WIND DAMAGE, OR ANY DAMAGE CAUSED BY NEGLIGENCE.

We guarantee that your Traveller Companion against any manufacturing defects for five years. A manufacturing defect is a defect that was caused by a failure in manufacture.

In the event of any manufacturing defect simply contact us on: **sales@mobelli.co.za**

We will assess and, where applicable repair or replacement the umbrella if the defect is covered by the guarantee. The guarantee does not cover the castors or the fabric canopy.