

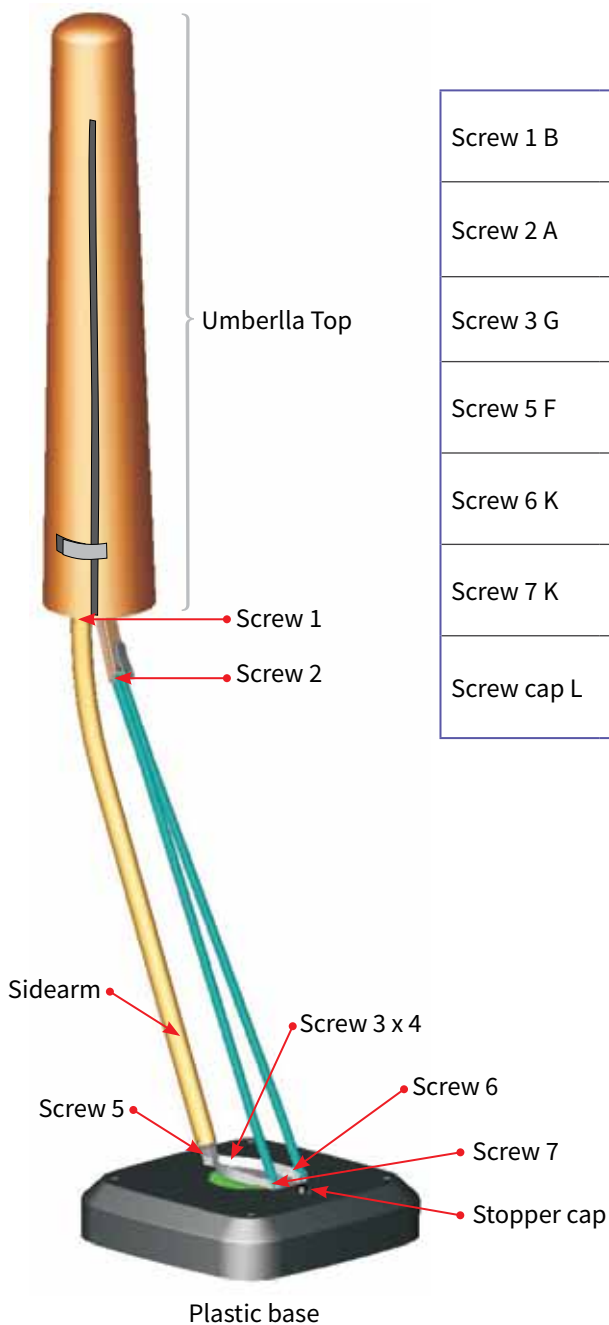
ASSEMBLY INSTRUCTIONS

ONE TOUCH UMBRELLA



ASSEMBLY INSTRUCTIONS

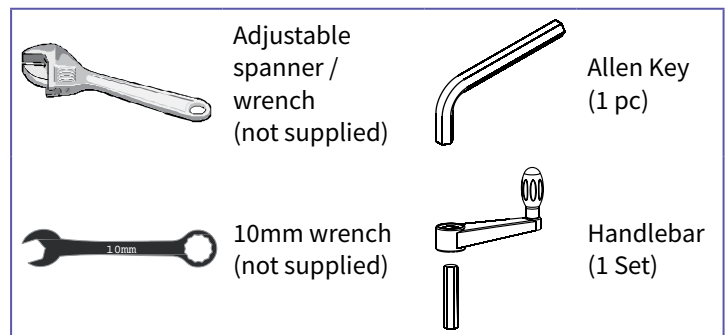
ONE TOUCH UMBRELLA



ACCESSORIES

Screw 1 B		D		E		1 Set
Screw 2 A		C		E		1 Set
Screw 3 G		H		J		4 Sets
Screw 5 F				E		1 Set
Screw 6 K				E		1 Set
Screw 7 K				E		1 Set
Screw cap L		4 Pc	Stopper cap M			1 Pc

TOOLS

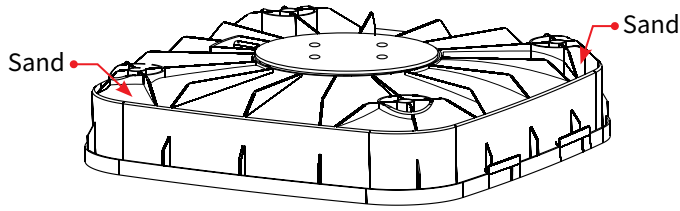


- Prepare at least 100kg of sand to fill umbrella base.
- Assemble plastic base. See page 2.
- Screw all parts. See page 3-4.
- Connect the umbrella to the base.
- Open umbrella slowly.

PROTECTION COVER

(Optional) Remove the protective cover before assembly.

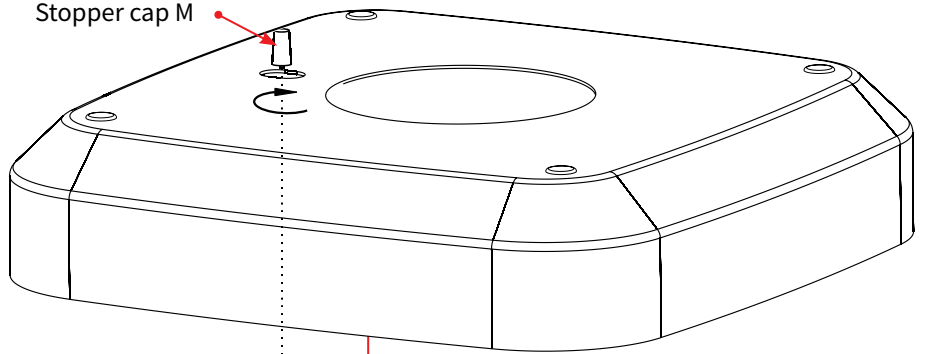
BASE PREPARATION



Fill up the plastic base with **at least 100kg of sand**.

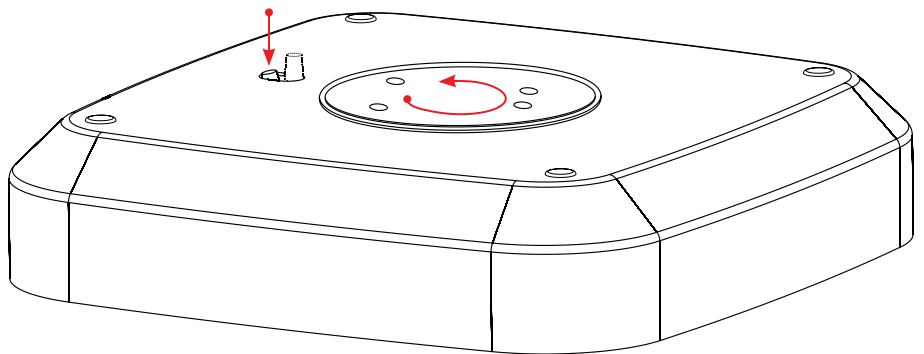
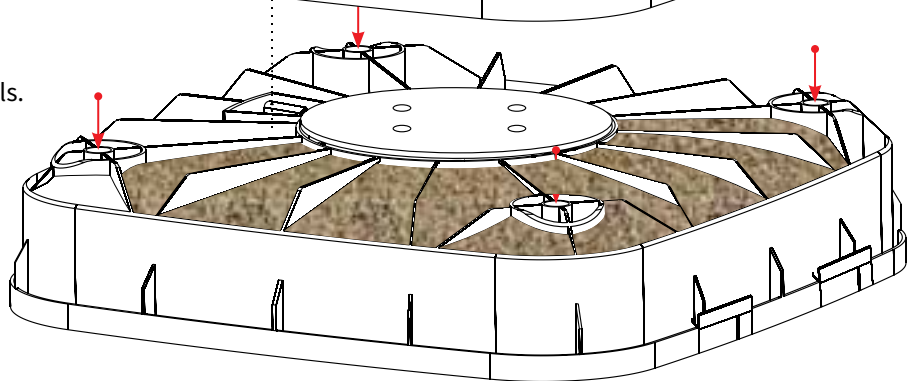
Add water and small stones for further stability.

Stopper cap M

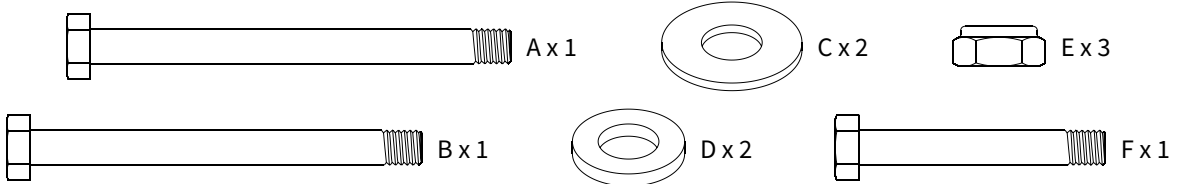
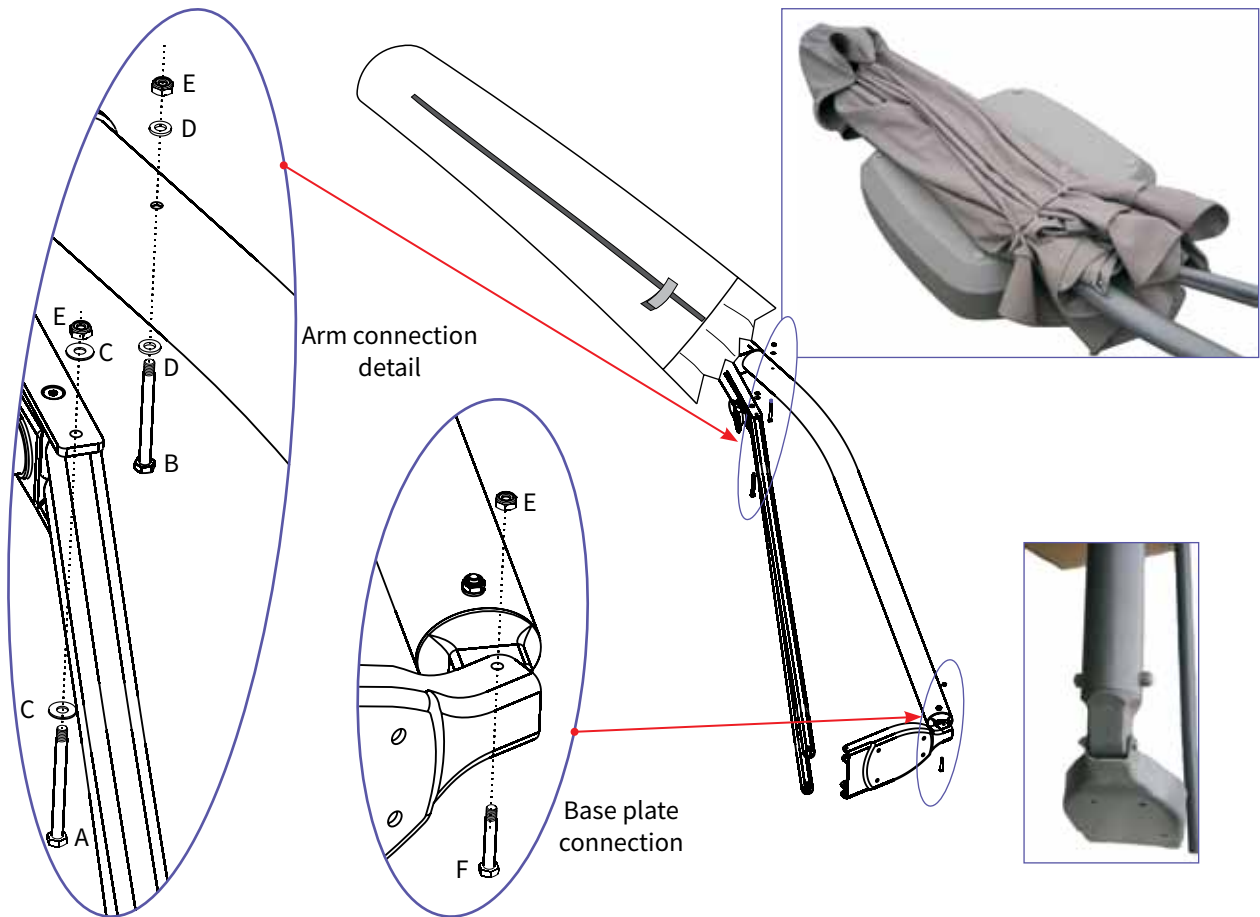


WARNING:

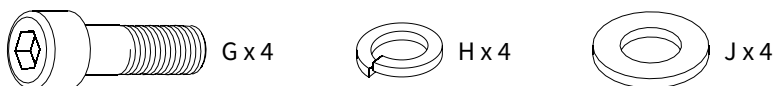
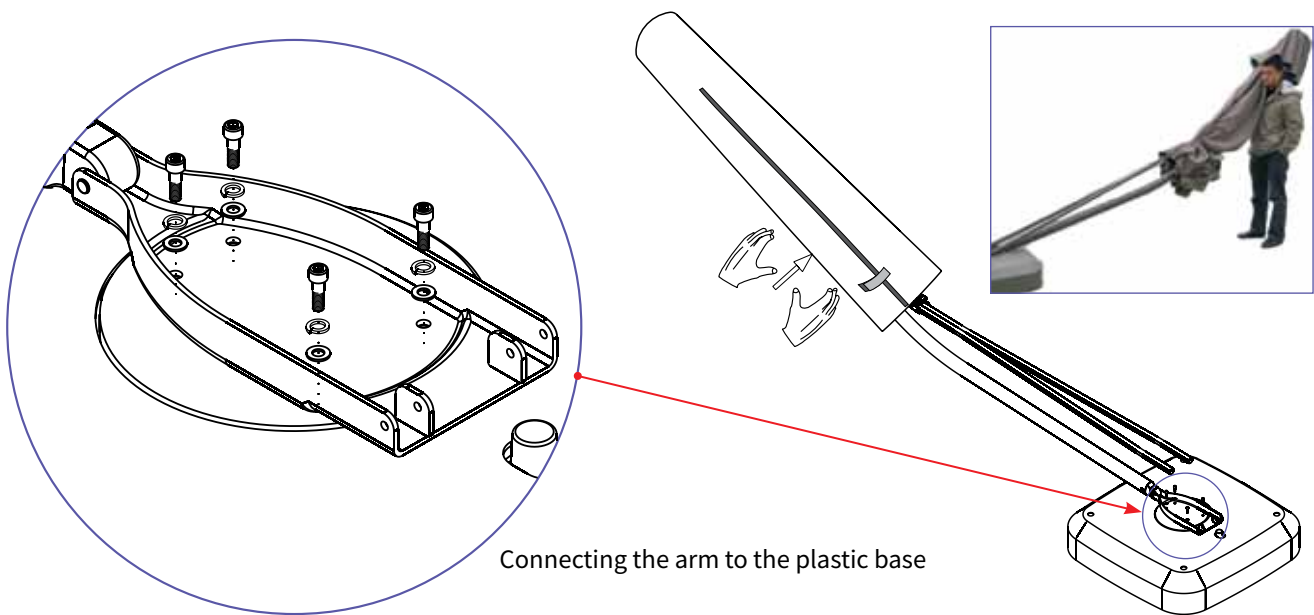
Do not pour sand into the 4 screw wells.

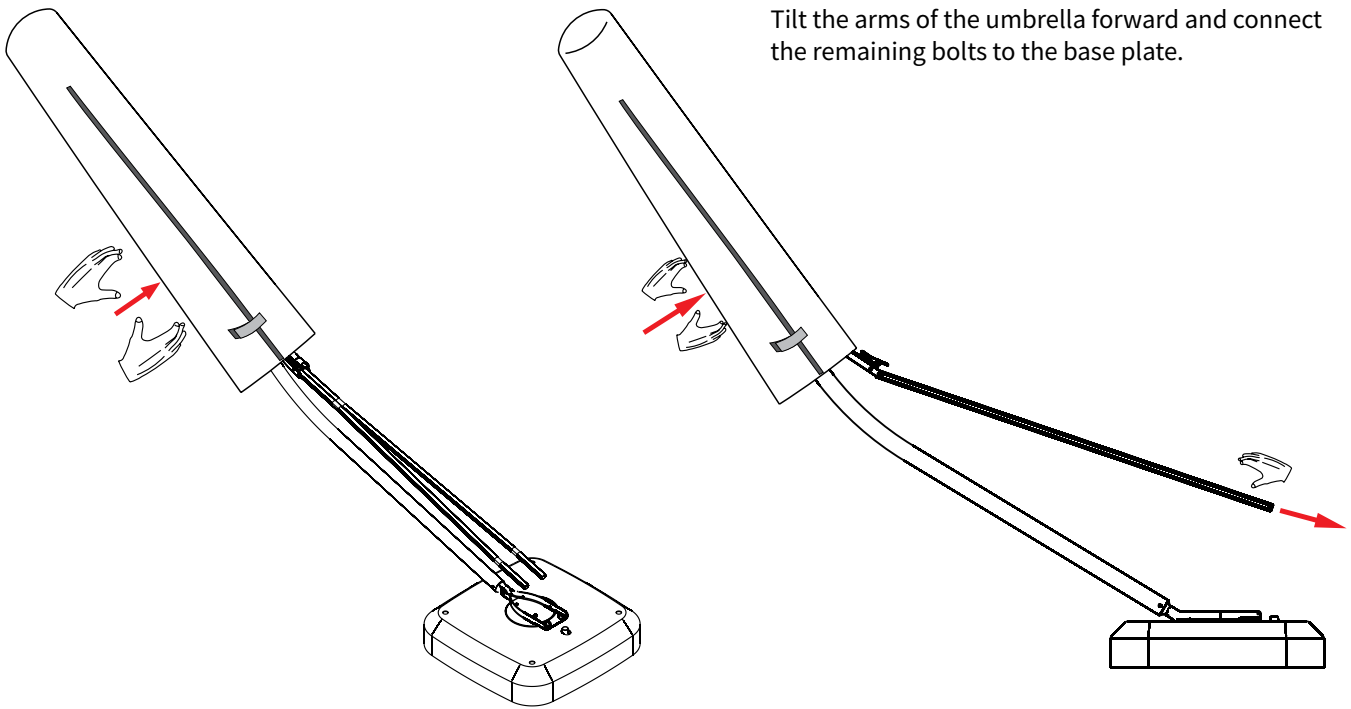


ARM ASSEMBLY



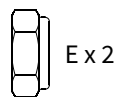
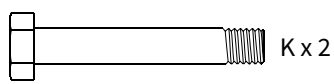
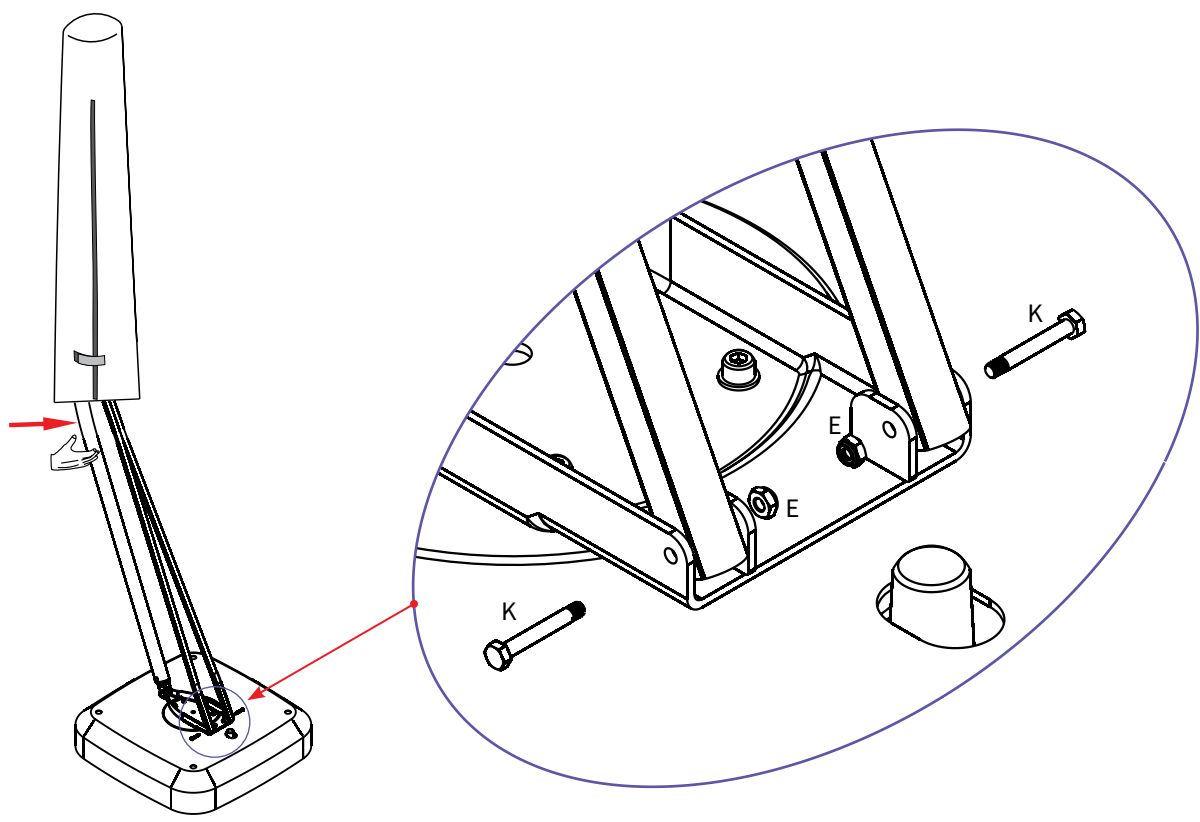
M



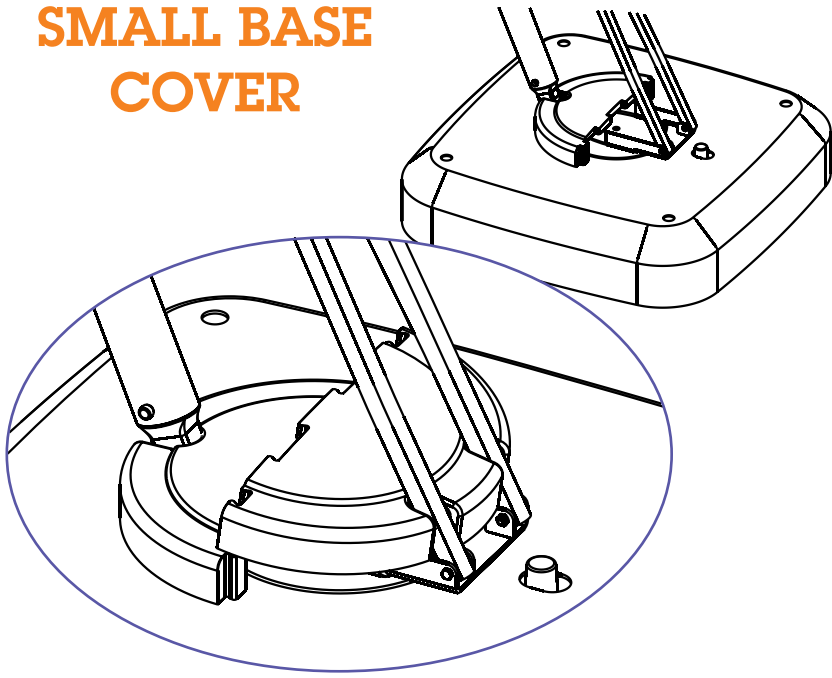


Tilt the arms of the umbrella forward and connect the remaining bolts to the base plate.

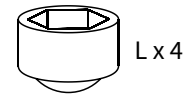
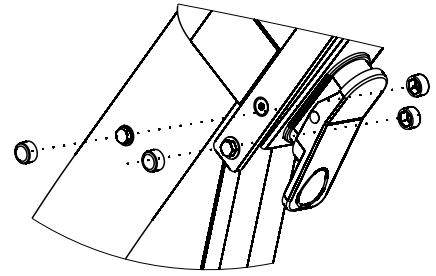
M



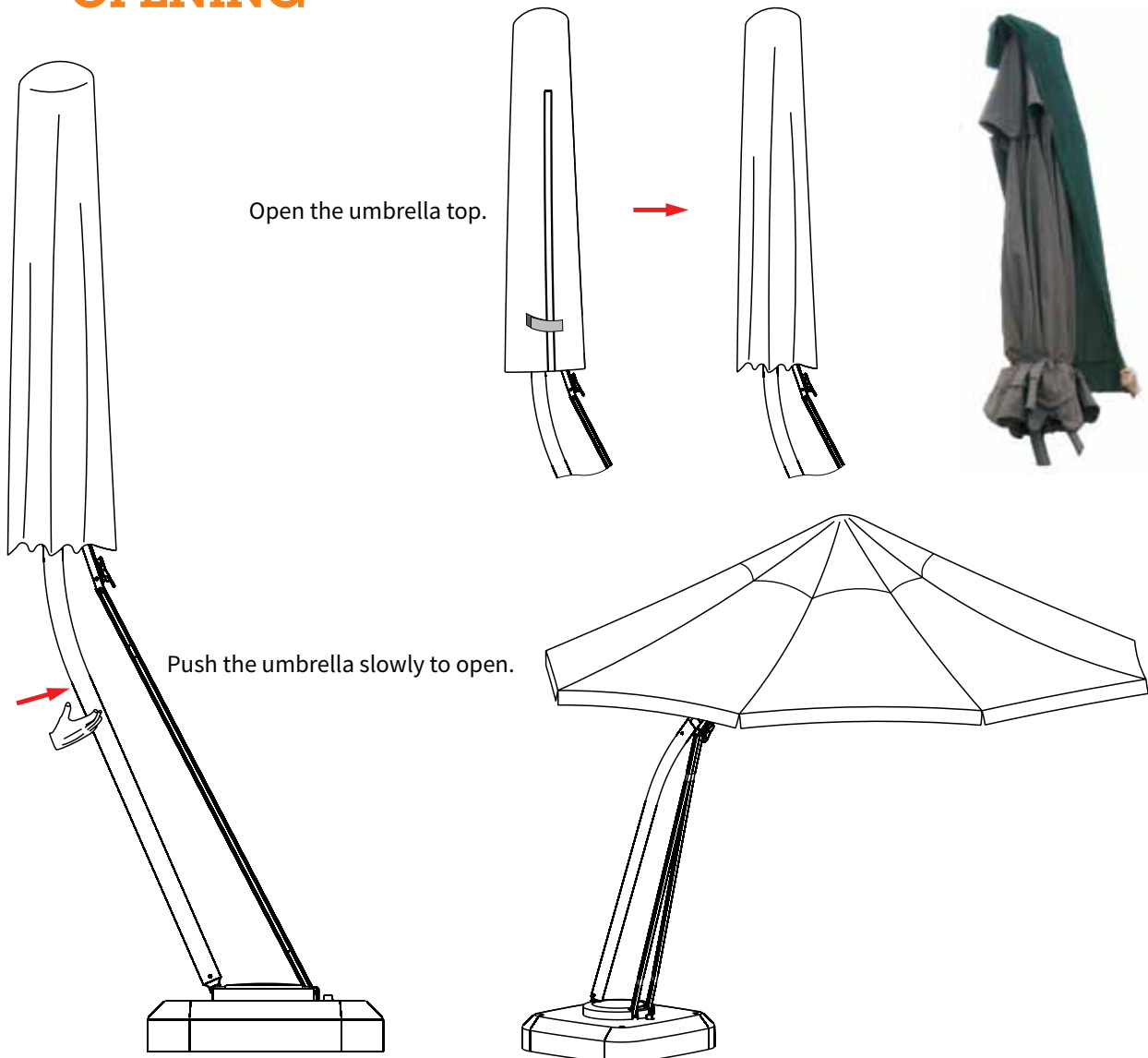
SMALL BASE COVER



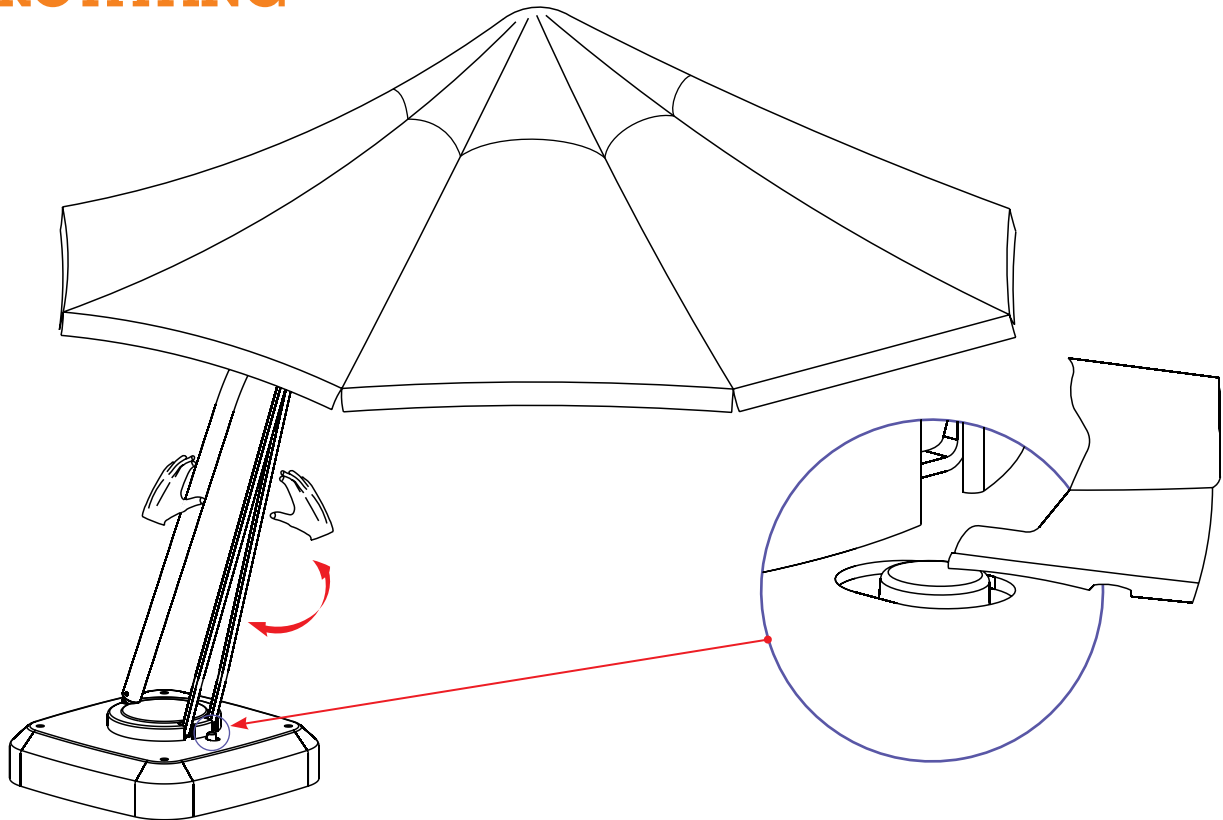
Place the screw caps on exposed screw head



OPENING

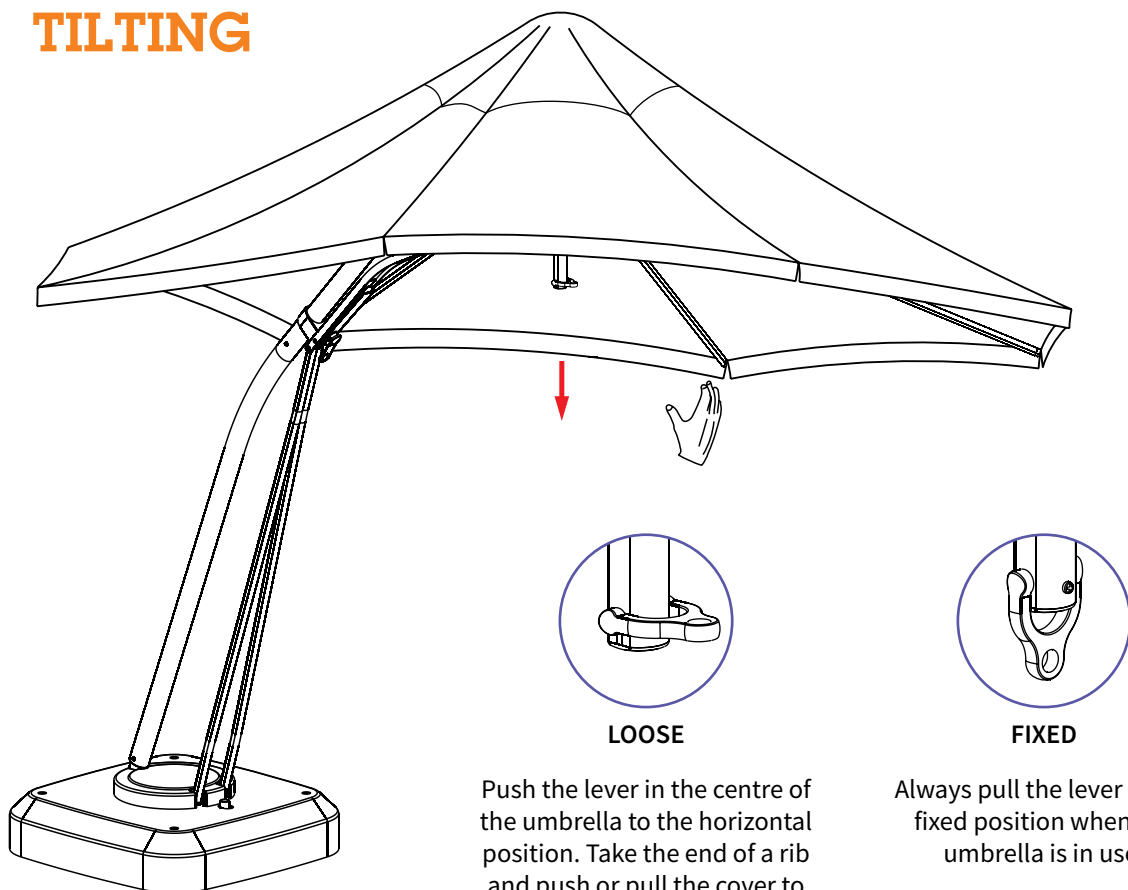


ROTATING



M

TILTING



LOOSE

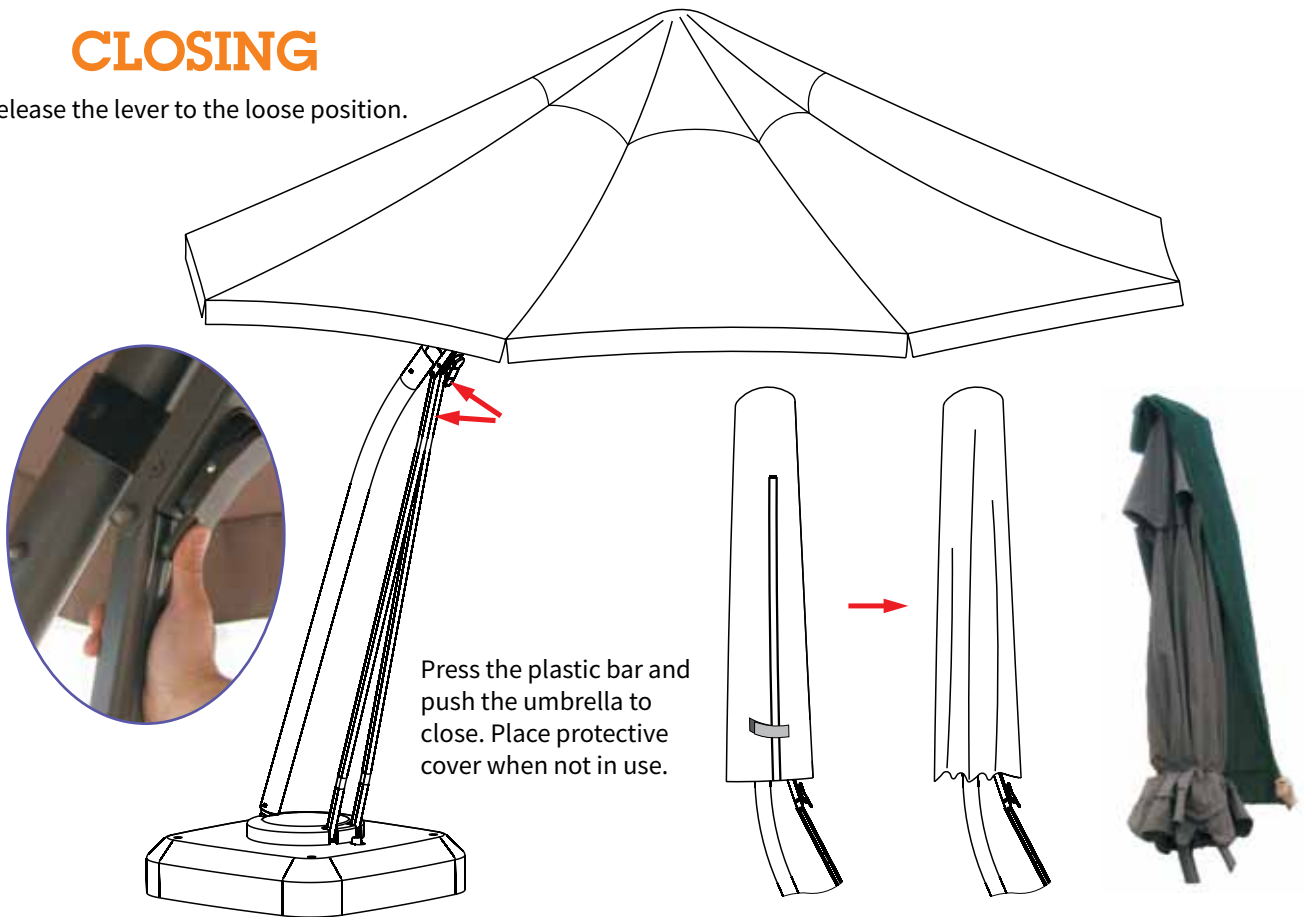
Push the lever in the centre of the umbrella to the horizontal position. Take the end of a rib and push or pull the cover to desired tilt position.

FIXED

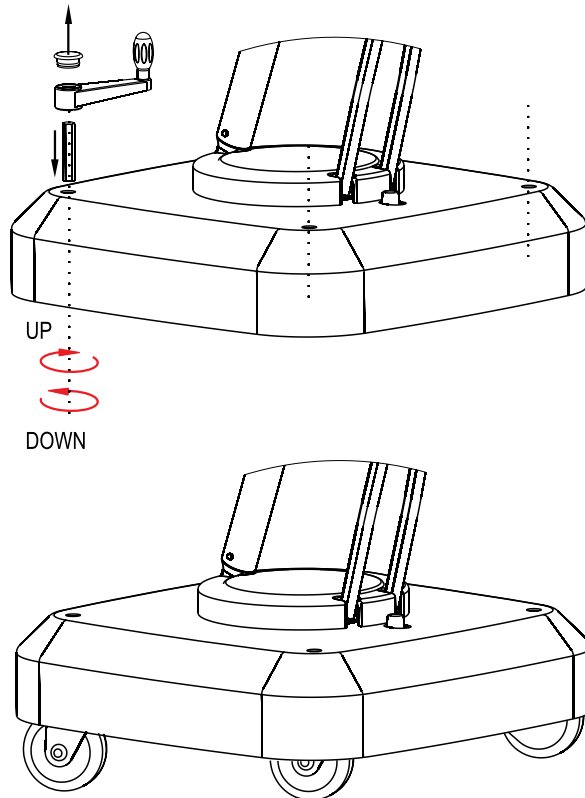
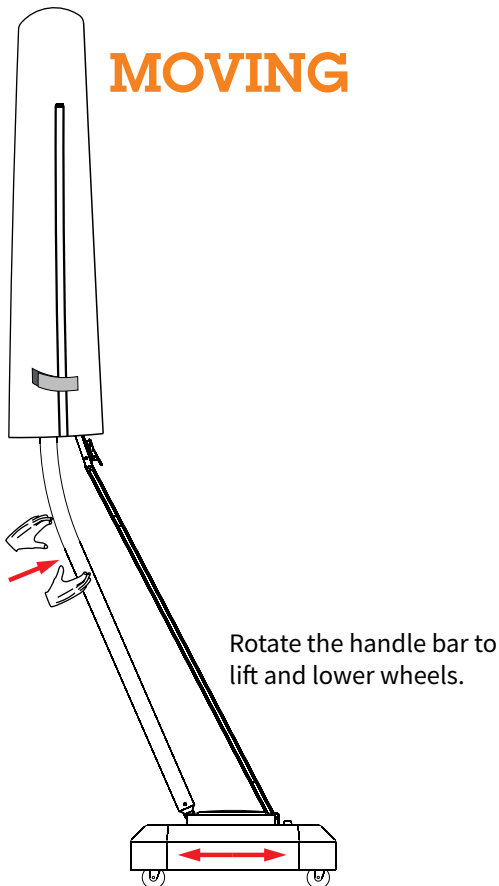
Always pull the lever to the fixed position when the umbrella is in use.

CLOSING

Release the lever to the loose position.



MOVING



Paarden Eiland | Sea Point | Illovo | Fourways | Menlyn Piazza | Umhlanga Ridge

CALL 0861 MOBELLI
66 23 55

mobelli.co.za